



Ice Machine Parts List For

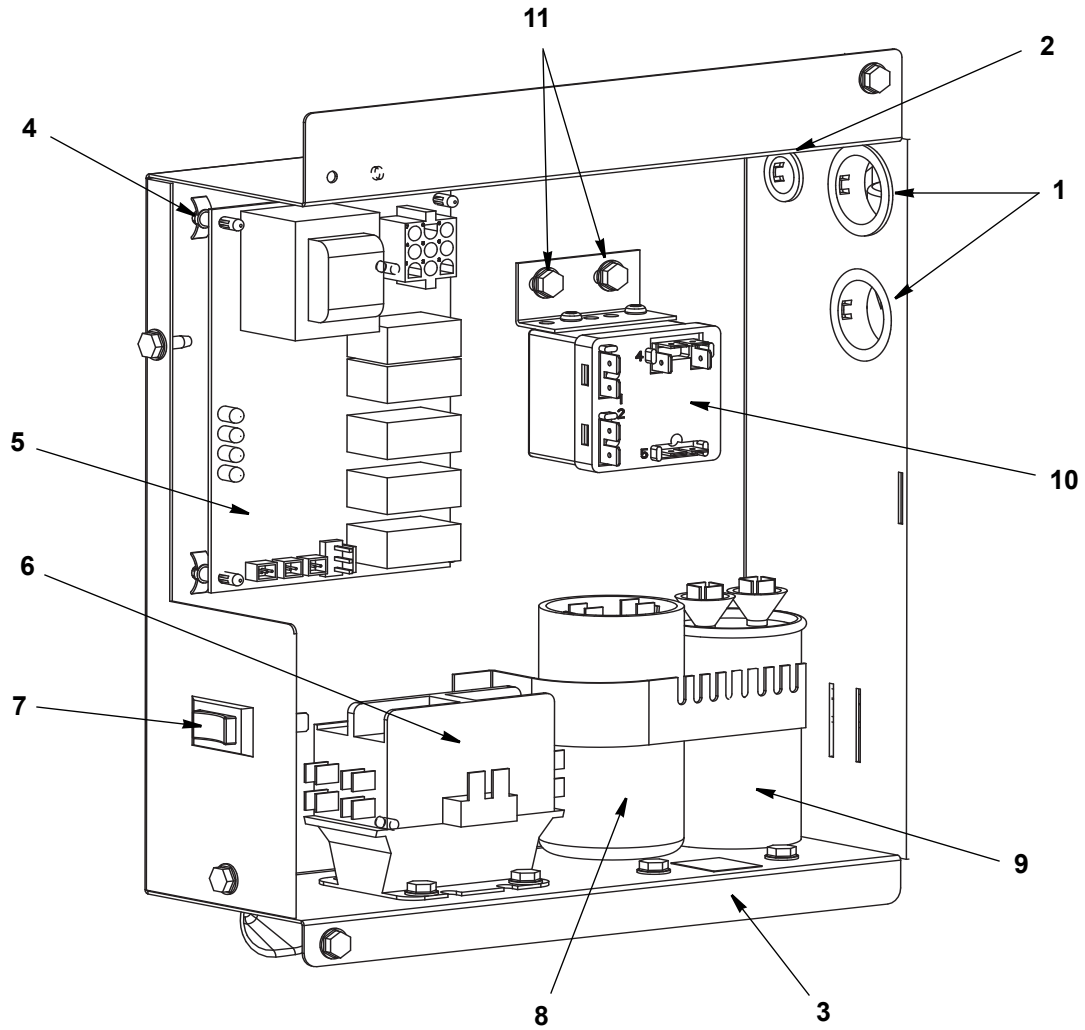
制冰机零件手册

ES0462AC-251

ES0463WC-251

ES0464AC-251

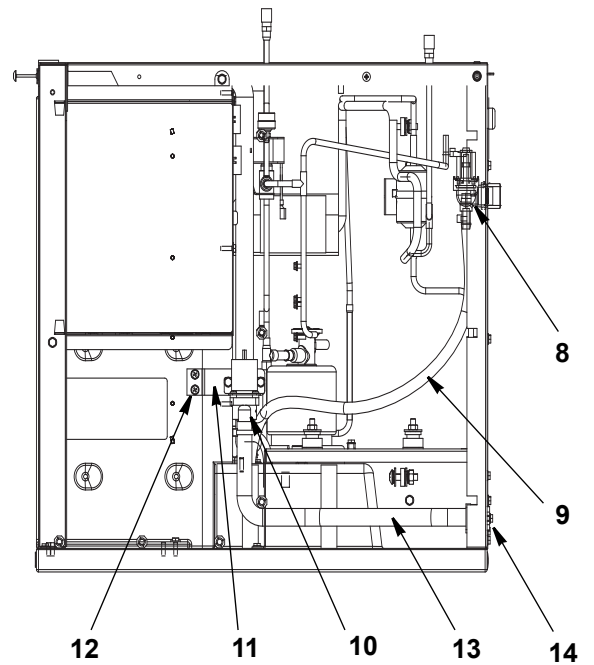
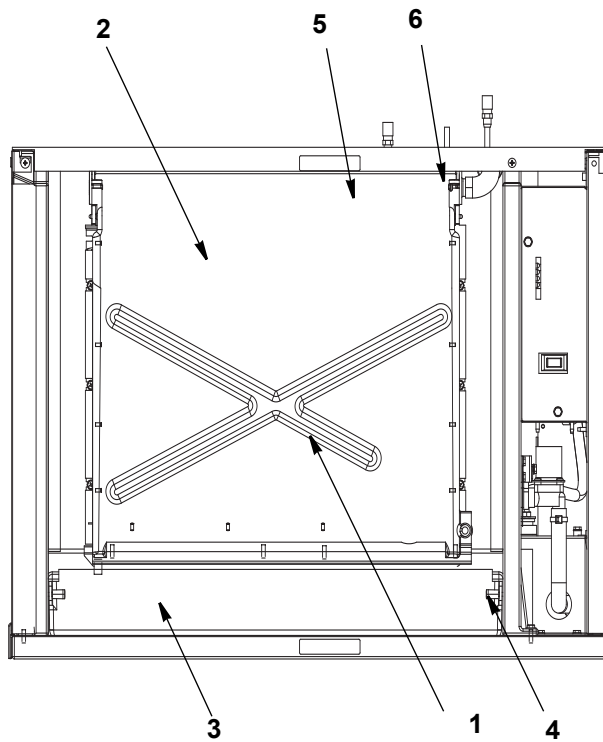
CONTROL BOX 控制盒



DESCRIPTION 描述

DESCRIPTION 描述	PART NO. 零件号
1 Bushing, SB1187-15/2182 衬套	2500011
2 Bushing, SB625-8/2073 衬套	2502189
3 Control Box Base 控制箱基座	040001027
4 Support 支架	4302253
5 Control Board 控制板	040001070
6 Contactor 接触器	2001543
7 Switch, Rocker 开关	2301513
8 Capacitor, Start 启动电容	000000022
9 Capacitor, Run 运行电容	2009493
10 Relay Start 启动继电器	000002136
11 SCR 螺丝	5202063

EVAPORATOR COMPARTMENT 蒸发器部件

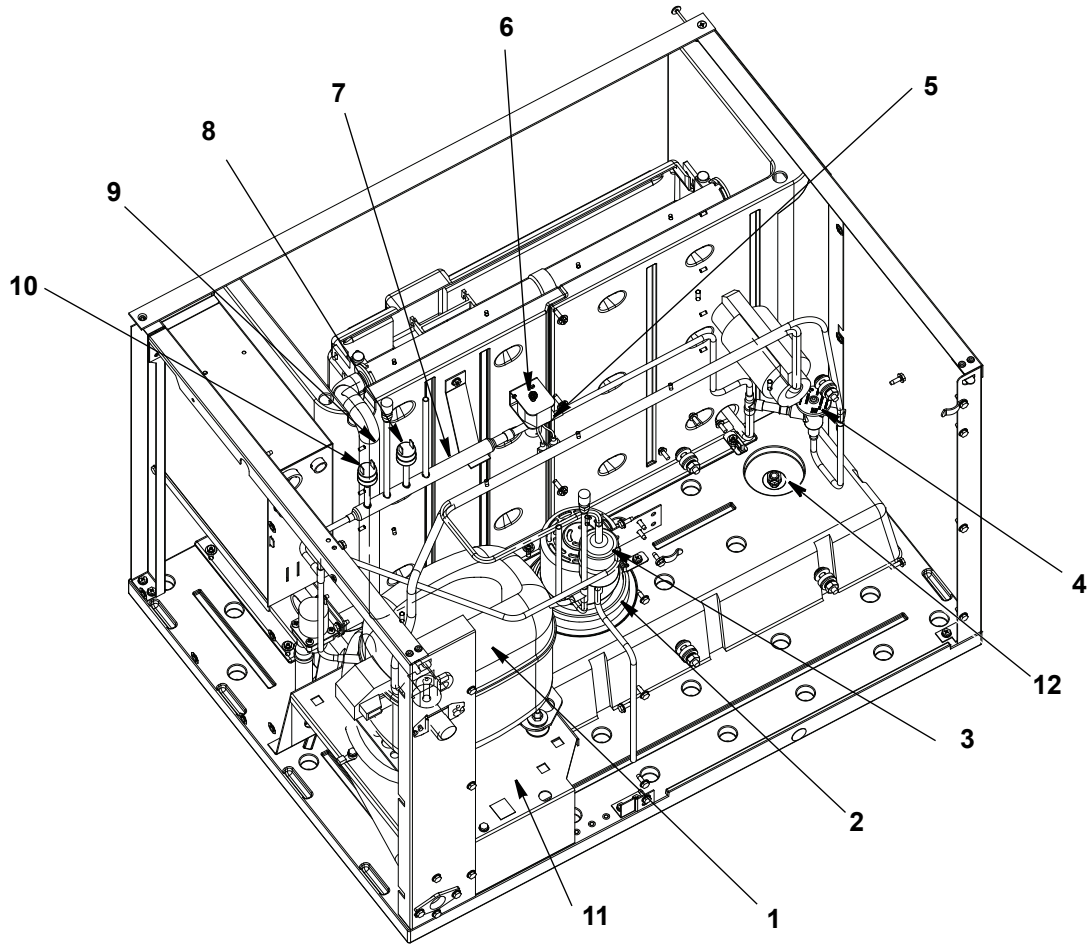


DESCRIPTION 说明

DESCRIPTION 说明	PART PO. 零件号码
1 Curtain, Water 水帘板	4304643
2 Evaporator 蒸发盘	
2a Evaporator Dice 方块冰	7625119
2b Evaporator Half Dice 半方块冰	7625109
3 Through Water 水槽	040001151
4 Thumbscrew(Used For Through Water) 指旋螺钉	5305123
5 Distribution Assembly 分水管组件	7624983
6 Thumbscrew(Used For Distribution Assembly) 指旋螺钉	5000013
7 O-ring(Not Shown)O 型圈	3718203
8 Valve, Water Inlet 进水阀	00000888
9 Tube, Vinyl 水管	4421113
10 Valve, Dump 排水阀	040001038
11 Bracket, Valve Dump 排水阀支架	040001065
12 SCR 螺钉	000001718
13 Tube Molded Vinyl 水管	040001094
14 Adapter 转接头	8706133

REFRIGERATION COMPARTMENT - COMMON PARTS

制冷系统配件 —— 通用配件



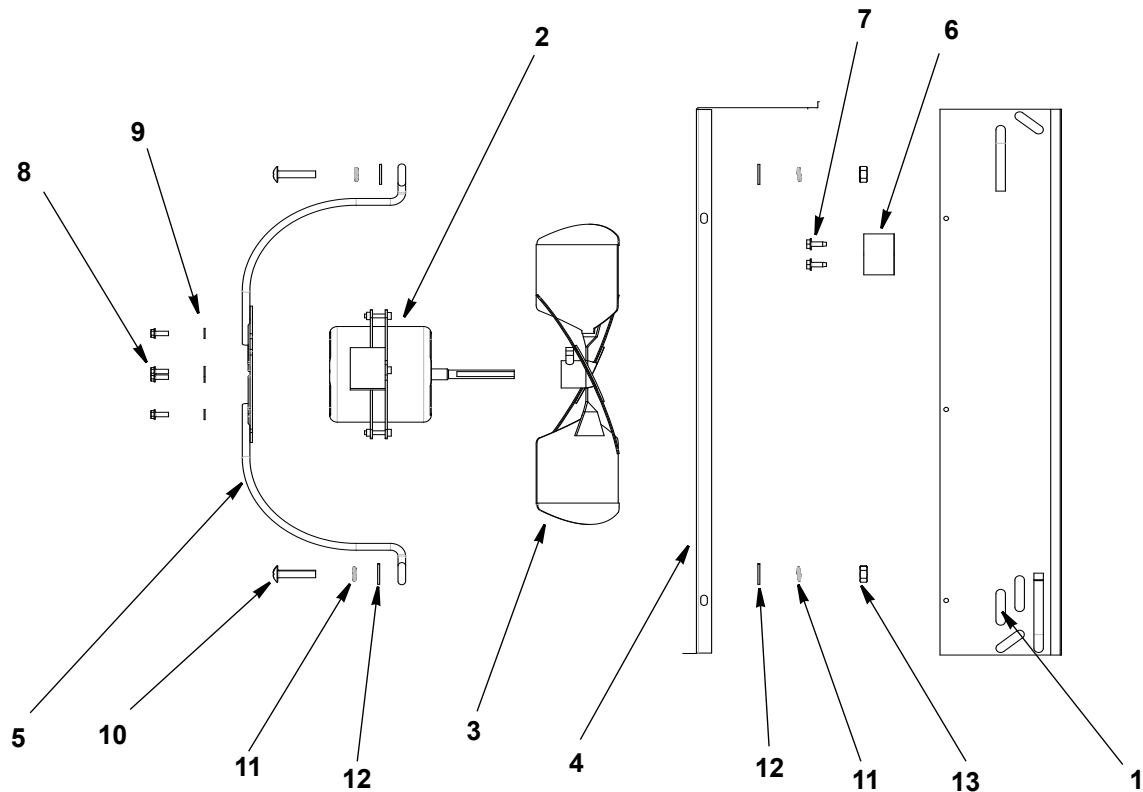
DESCRIPTION 描述

PART NO. 零件号码

1	Compressor 压缩机	7602963
2	Pump, Water 230/50/60 水泵	040001455
3	Drier, Danfoss 干燥过滤器	8930259
4	Expansion Valve 膨胀阀	7601583
5	Hot Gas Valve Body 热气阀阀体	040000668
6	Hot Gas Valve Coil 热气阀线圈	040000103
7	Manifold Strainer 过滤器	8251003
8	Fan Cycling Control 风扇循环控制器	2001263
9	Access Valve 加液阀	8373253
10	High Pressure Cutout Control 高压切断控制器	2001243
11	Bracket Compressor Base 压缩机基座支架	040001037
12	Probe Water Level 水位探针	040001033

REFRIGERATION COMPARTMENT - AIR COOLED

制冷系统部件 —— 风冷



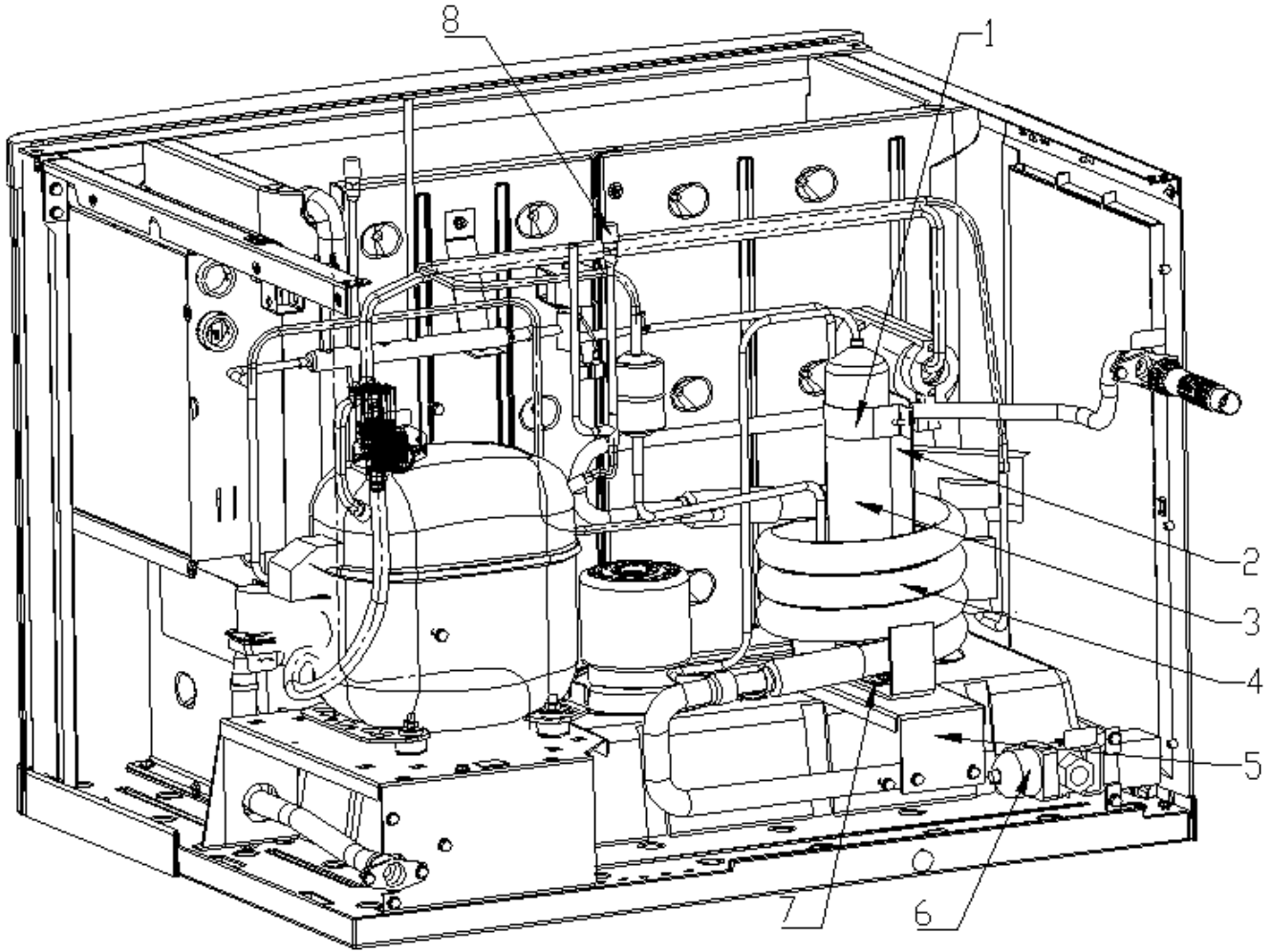
DESCRIPTION 描述

PART NO. 零件号码

1	Air Condensor 空冷冷凝器	040001160
2	Fan Motor, 230/50 风扇电机	040000664
3	Fan Blade 扇叶	2416203
4	Fan Shroud 风扇护罩	040001069
5	Fan Motor Mount 风扇电机固定支架	3406623
6	Drier Bracket Support 干燥过滤器支架	040001383
7	SCR 螺钉	5202069
8	Screw 螺丝	5025599
9	Washer 垫片	5504261
10	SCR 螺钉	5033589
11	Lockwasher 弹簧垫片	5545109
12	Flat Washer 平垫	5573059
13	Hex Nut 六角螺母	5429521

REFRIGERATION COMPARTMENT - WATER COOLED

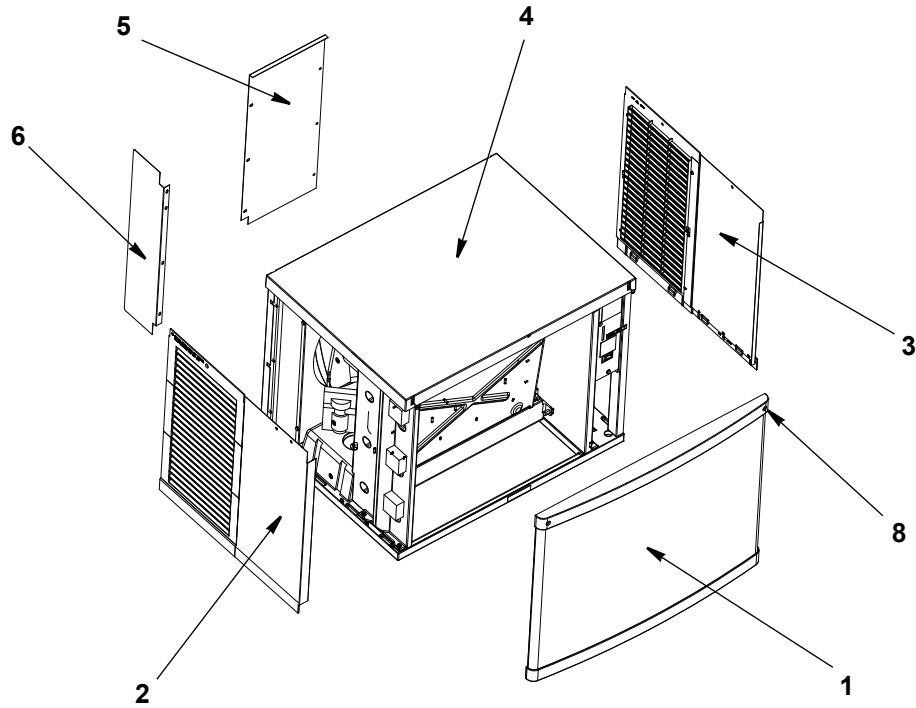
制冷系统部件 —— 水冷



DESCRIPTION 描述

DESCRIPTION 描述	PART NO. 零件号码
1 Receiver strap 储液罐固定带	6001891
2 Receiver bracket 储液罐支架	6034631
3 Receiver 储液罐	1200031
4 Condenser water 水冷冷凝器	040002617
5 Bracket condenser water 水冷冷凝器支架	040001802
6 Water regulating valve 水压调节阀	8252823
7 Washer 垫片	5573413
8 Access valve 补液阀	8373253
9 Water drain female wing adapter 排水接头	000001172

PANELS 面板



DESCRIPTION 描述

PART NO. 零件号码

1	Front Panel Assembly 前面板组件	040001704
2	Panel, LH Side 左侧面板	040001701
3	Panel, RH Side 右侧面板	040001700
4	Top Cover 顶盖	040001267
5	Air Filter 空气过滤器	3000543
6	Air Baffle 空气挡板	040001388
7	Front Support(Not Shown) 前支撑	040001020
8	Screw 螺丝	5119019